



WWW.BARRYIND.COM

# RE2010CT-50R0JN-2T



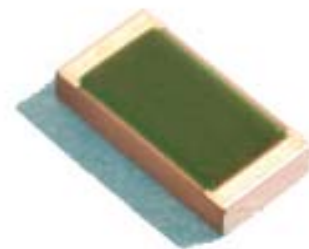
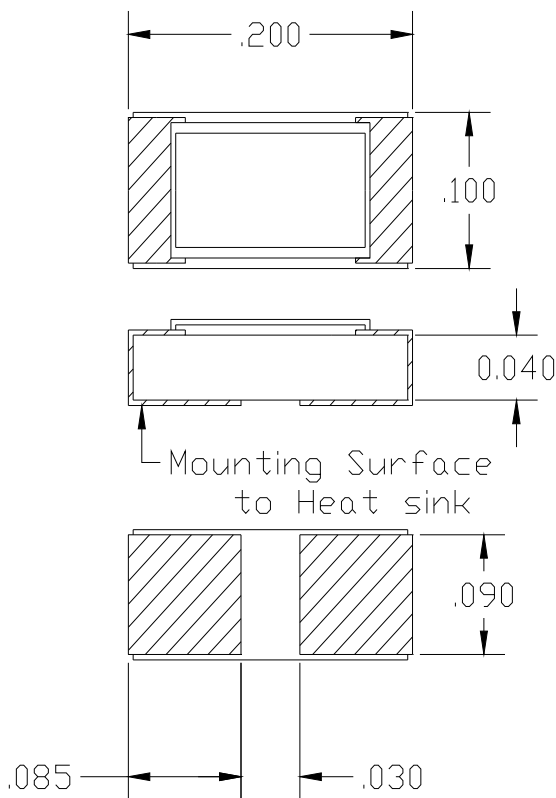
## Aluminum Nitride Surface Mount Resistor

### Features:

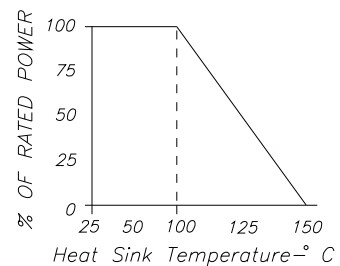
- ◆ AIN Material
- ◆ Surface Mount
- ◆ 20 Watt Input Power
- ◆ CT - Matte Tin over Nickel over Silver

### General Description:

The RE2010CT-50R0JN-2T is a 50 Ohm standard surface mountable high power chip resistor ideal for small assemblies with an input power rating of 20 watts, while maintaining a constant heat sink temperature of 100°C.



DERATING CURVE:



Parameter	Min.	Typ.	Max.	Units
Power Dissipation			20	WATTS
Heat Sink Temperature			100	°C

Barry Industries reserves the right to change part number and or process without notification.

Barry Industries, Inc., 60 Walton St., Attleboro, MA 02703 T: 508-226-3350 F: 508-226-3317 E-mail: ABSales@Vishay.com

Barry is ISO 9001:2000 Certified by



Origination Date	Revision Date	Rev.
11/17/09	11/17/09	-